

FS2000EK2T 系列霍尔可拆卸电流传感器

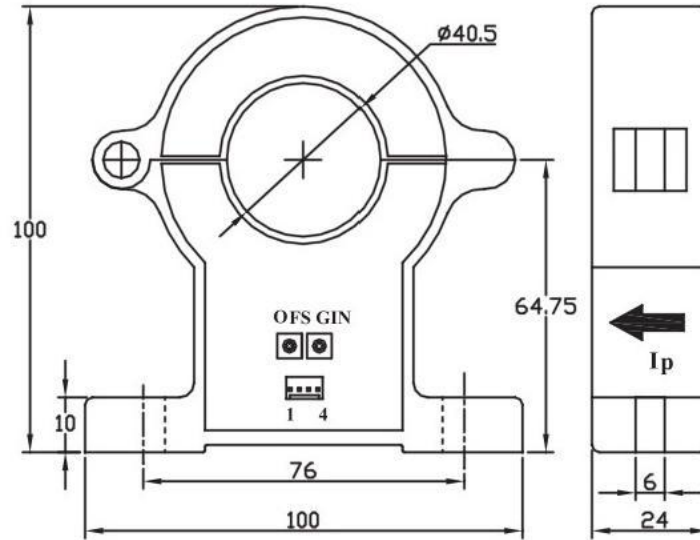


应用霍尔效应开环原理的电流传感器，能在电隔离条件下测量直流、交流、脉冲以及各种不规则波形的电流。

The current sensor using the Hall effect open-loop principle can measure DC, AC, pulse and various irregular waveforms of current under the condition of electrical isolation.

◆电参数								
	型号	FS200EK2T	FS400EK2T	FS500EK2T	FS800EK2T	FS1300EK2T	FS2000EK2T	
I	原边额定输入电流 Rated input current on primary side	200	400	500	800	1300	2000	A
I _p	原边电流测量范围 Primary current measurement range	0~±240	0~±480	0~±600	0~±960	0~±1560	0~±2400	A
V _{SN}	副边额定输出电压 Rated output voltage of secondary side	2.5±2V						V
V _c	电源电压 Supply voltage	+5V ±5%						V
I _c	电流消耗 Current consumption	V=±15V		<25				mA
v _d	绝缘电压 Insulation voltage	在原边与副边电路之间5KV有效值/50Hz/1分钟						
ε _L	线性度 Linearity	<1						%FS
V ₀	零点失调电压 Zero offset voltage	TA=25℃		<±25				mV
V _{OM}	磁失调电压 Magnetic offset voltage	I→0		<±25				mV
V _{OT}	失调电压温漂 Offset voltage temperature drift	I _p =0 T=-25~+85℃		<±1				mV/℃
T _r	响应时间 Response time	≤3						us
f	频带宽度(-3dB) Band width (-3dB)	DC~20						kHz
T _A	工作环境温度 Operating ambient temperature	-40~+85						℃
T _s	贮存环境温度 Storage ambient temperature	-40~+100						℃
R _L	负载电阻 Load resistance	≥10K						Ω
	标准 Standard	GI/FS-0105						

外形尺寸(mm)/Dimensions of drawing(mm)



引脚说明: 1: +5 V 2: GND 3: Vout 4: GND(电源地) OFS: 零点调节 GIN: 幅度调节备注: 接插件可订制

Pin description: 1: +5 V 2: GND 3: Vout 4: GND(power source) OFS: zero adjustment GIN: amplitude adjustment

Note: Connectors can be customized

使用说明/Instructions

- 错误的接线可能导致传感器损坏。传感器通电后, 当被测电流从传感器箭头方向穿过, 即可在输出端测得同相电压值。
Incorrect wiring may cause damage to the sensor. After the sensor is powered on, when the measured current passes through the arrow direction of the sensor, the in-phase voltage value can be measured at the output end.
- 传感器的输出幅度可根据用户需求进行适当的调节。
The output amplitude of the sensor can be adjusted according to the user's needs.
- 可按用户需求定制不同额定输入电流和输出电压的传感器。
Sensors with different rated input current and output voltage can be customized according to user requirements.